

# Mobile phone sensor

## BE9250



### Features

**Ergonomic design**  
Ideal for people with impaired vision or limited dexterity

**Low center of gravity**  
Resumes an upright position if it is knocked over



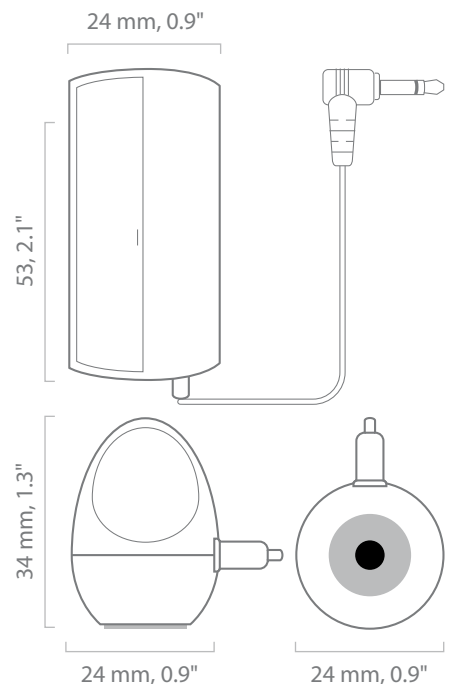
## Connects your mobile phone and tablet to the Visit system.

The mobile phone sensor from Bellman & Symfon is specially designed for the Visit smart home system. It is activated when a mobile phone or tablet screen lights up, for example from an incoming call or message.

Connect it to any of the alarm clock models from Bellman & Symfon to be alerted by sound, flashes or vibrations when someone is trying to reach you.

### Technical specifications

■ Placement	Horizontally on the display
■ Optical detection	When the display lights up
■ Light sensitivity	Visible light >3 lux for longer than 2 s
■ Connectors	
Mobile phone sensor	2.5 mm mono jack plug
Adapter	3.5 mm mono jack plug
■ Cable length	120 cm, 4'
■ Sensor weight	20 g, 0.7 oz.
■ Adapter weight	27 g, 0.9 oz.



© 2016, Bellman & Symfon AB. All rights reserved.  
Bellman, Bellman & Symfon and the Bellman & Symfon logo are registered trademarks of Bellman & Symfon AB. This leaflet is subject to change without prior notice.

BE9250\_001DAS002

[bellman.com](http://bellman.com)