

■ Specifications

Emission modulation	4 GFSK
Latency	< 4 ms @ HQ
Mic capsule	Condenser
Antenna	Flexible antenna
RF output	High : < 10 mW for 794~810,863~865,902~928 MHZ : < 20 mW for 823~832 MHZ Low : 2 ~ 6 mW
Mic. input	3-pole Mini XLR
Audio input	3.5mm
Battery (Provided 865Mhz)	2 x AA alkaline / rechargeable NiMH battery
Battery life	> 8 hours (2,100 mAh rechargeable battery)
Operation range	> 50 meters
Dimensions (DxWxH)	88 x 64 x 29 mm/3.46 x 2.51 x 1.14 in (without antenna)
Weight (without battery)	113 ± 5 g/ 0.249lbs

Specifications are subject to change without prior notice.

■ Manufacturer's Declaration

This product meets the following standards:

◆ Europe – EU Declaration of Conformity

This device complies with Directive 2014/53/EU issued by the Commission of the European

◆ Federal Communications Commission Interference Statement

This device complies with part 15 of the FCC Rules.
Operation is subject to the following two conditions: (1) This device may not cause harmful interference,
and (2) this device must accept any interference received, including interference that may cause undesired operation.

Notice: The changes or modifications not expressly approved by the party responsible for compliance could void the user's authority to operate the equipment.

IMPORTANT NOTE:
To comply with the FCC RF exposure compliance requirements, no change to the antenna or the device is permitted.
Any change to the antenna or the device could result in the device exceeding the RF exposure requirements and void user's authority to operate the device.

◆ WEEE Statement

Electrical and electronic equipment must be disposed of at the end of their lifespan separately from household waste.
Please dispose of this equipment at your local waste collection or recycling center. Please help to protect our environment.



◆ Safety and Electromagnetic Emissions Certificates

- Standard Compliance
- RoHs compliant
 - European Directive 2011/65/EU Certificates (country dependent)
 - CE • NCC
 - C-TICK • TELEC
 - FCC

Version:9180-017-B2-0124



RF-TX1 Box Contents:

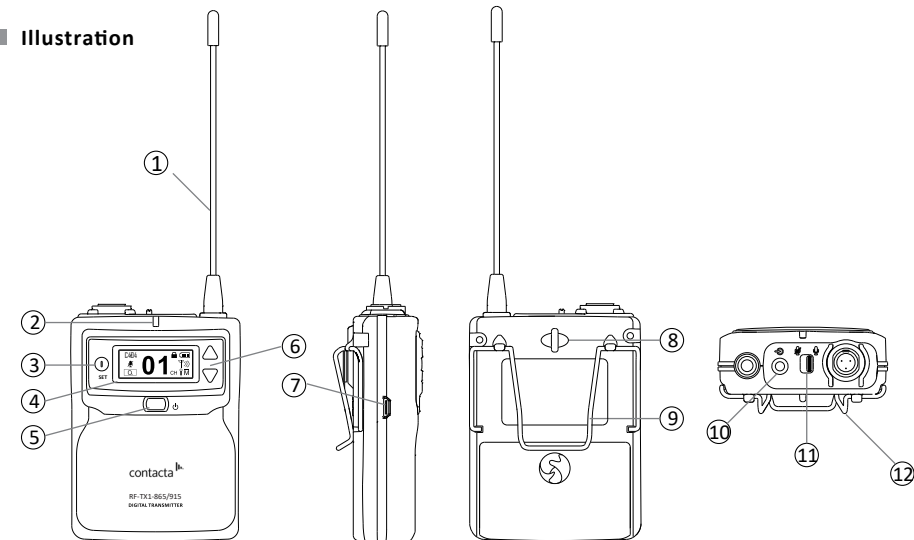
- RF-TX1 865MHz/915MHz, USB-M100, RF-TX1-LM, Lanyard, Belt Clip, 2100mAh NiMH rechargeable batteries (865MHz version only)

Contacta Systems Ltd
Office 13, Dana Estate
Transfesa Road
Paddock Wood
TN12 6UT
(Tel) +44 (0) 1732 223900 (UK)
sales@contacta.co.uk

Contacta Inc USA
4025 Tampa Rd,
Suite 1107A,
Oldsmar, FL 34677
(Tel) +1 616 392 3400 (USA & Canada)
info@contactainc.com

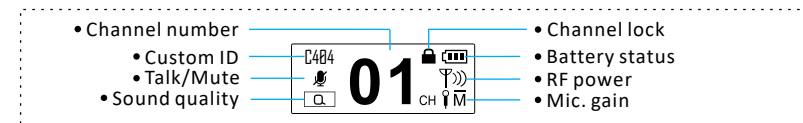
Digital UHF Bodypack Transmitter RF-TX1-865/915 - User Manual

■ Illustration



- ① Flexible Antenna
- ② Power / Talk LED indicator
 - Steady blue (red): Sufficient (Low) battery and talk mode is activated.
 - Flashing blue (red): Sufficient (Low) battery but the transmitter is muted (M).
- ③ Set button
- ④ Backlit screen
- ⑤ Power button
- ⑥ Up / Down button
- ⑦ Charging port (when NiMH battery applied)
- ⑧ Lanyard hole
- ⑨ Belt clip
- ⑩ 3.5 mm audio-in jack
- ⑪ Talk / Mute switch
- ⑫ 3-pole mini XLR microphone jack (for use with RF-TX1-EM and RF-TX1-LM)

■ Screen



■ General operation

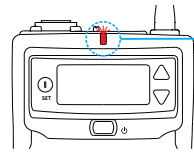
- ◆ Power on
Press and hold the power button for 1 second to turn the transmitter on.
- ◆ Adjust channel manually
 - Channel lock is activated
The screen will automatically be locked (L) when the transmitter is on and idle for 5 seconds. To unlock the transmitter, press both ▲ and ▼ buttons for 1 second until symbol L disappears. Now, press the ▲ or ▼ button to select another preferred channel. Once the newly selected channel is determined, press the set button again to confirm the selection and then symbol L will show up again.
 - Channel lock is de-activated
Simply short press the ▲ or ▼ button to select another preferred channel. The newly selected channel will automatically be determined after the transmitter is idle for 1 second.
- ◆ Check channel frequency
Short press the set button to check the frequency of selected channel. The transmitter will return back to the Home Screen after being idle for 2 seconds.

◆ **Power off**

Press and hold the power button for 2 seconds to turn the transmitter off.

◆ **Micro-USB connection (Only necessary if RF-DC6/RF-DC24 is not used)**


- **Charging:** Micro-USB connection will be indicated on screen as "charging" function only when transmitter is powered off before being connected.

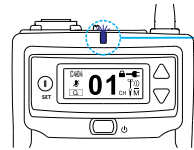


- Steady red: Charging
- Steady blue: Fully charged



Be sure rechargeable batteries are inserted into the transmitter before charging.

- **Power supply:** If the transmitter is connected with micro-USB cable while it's on, this connection is indicated as "power supply" and symbol  will show up on the screen.



- The LED indicator will stay in steady blue when power is provided.

■ **Advanced Settings**

◆ **Setting adjustment**

1. To enter settings mode, switch off the Transmitter then, press and hold both set and power buttons simultaneously to turn the Transmitter on.
2. "Setting" mode will be entered successfully for custom adjustments.
3. Press the ▲ or ▼ button to scroll options. See setting menu below.
4. Press the set button again to confirm the selection and leave the setting.
5. To leave the "setting" mode, find "EXIT" in the menu and press the set button once more.

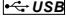
● QUALITY	This refers to sound quality of the transmitter. ① HQ: Higher ② Q (default): Regular <i>Note: HQ will be the only option for limited bands.</i>
● LOCK	Channel will automatically be locked when the transmitter is on. ① ON (default) ② OFF
● RF POWER	Power definition will vary upon countries. ① HIGH (T) (default): Operation range will be greater. ② LOW (T): Operation range will be shorter.
● MIC GAIN	① HIGH (H) ② H-MID (M) (default) ③ MID (M) ④ M-LOW (M) ⑤ LOW (L)
● AUTO PWR-ON	The transmitter will automatically be turned on when being taken out from the charger. ① ON ② OFF (default)
● Exit	—

②

◆ **Reset to Factory Settings**

1. Press and hold ▲, ▼ and power buttons simultaneously to turn the transmitter on.
2. The transmitter will be return to default settings automatically.
3. Followings list default settings.
 - Channel: 01
 - Quality: Q (HQ for limited bands)
 - Lock: ON
 - RF power: T (HIGH)
 - Mic gain: M (H-MID)
 - Auto pwr-on: OFF
4. Also, the following settings will be back to default.
 - Custom names will be removed
 - All defined channels are open
 - All defined ID will be removed

◆ **Installing Programming Software (OKAY-CON-SW)**

1. Press the power button when the transmitter is connected with PC. Then,  will show up on the screen which means the transmitter is ready for programming.
2. Software OK-CON-SW is available for following setting adjustments (see OKAY-CON manual for additional instructions).
 - Custom names (channels) to edit
 - Specific channels to select
 - Unique ID number
 - All default settings to pre-set
3. After channel/setting programming is completed and uploaded onto the Transmitter, please ensure that the device is turned off correctly to ensure that settings are saved, Do not disconnect during programming.

■ **Troubleshooting**

Trouble	Solution
◆ Why can't I turn the transmitter on?	<ul style="list-style-type: none"> ● Check if batteries are inserted in the transmitter. ● Check if the polarity of batteries are correctly inserted. ● Check if batteries are operational.
◆ Why can't the receiver connect to/pickup anything from the transmitter?	<ul style="list-style-type: none"> ● Check if the frequency of transmitter and receiver matches. ● Check if "quality" setting (Q / HQ) on both transmitter and receiver is equal. ● Check if selected channel on both transmitter and receiver is equal. ● Check if microphone on transmitter or earphone on receiver is connected well. ● Check if the volume of receiver is tuned at appropriate level. ● Check if the receiver is located within the operational range of the transmitter.
◆ Why do I hear "Hiss" or "Noise" on receiver?	<ul style="list-style-type: none"> ● Check if the earphones on receiver or the microphone on transmitter connects and works well. If not, please try another replacement earphone or microphone. ● If the "Hiss" or "Noise" still exists, please return the receiver/transmitter to your supplier or Contacta for further analysis.

③