

D704HS™  
D702HS™

**CLARiTY**®

User Guide

## Expandable Handset for Clarity® DECT6.0 Amplified Big Button Cordless Phones

D702HS is compatible with:

- D702
- D712
- D722

D704HS is compatible with:

- D704
- D714
- D724



**CLARiTY**®

Clarity, a Division of Plantronics, Inc.  
4289 Bonny Oaks Drive,  
Chattanooga, TN 37406  
Tel: 800-426-3738 Fax: 800-325-8871  
E-mail: [claritycs@plantronics.com](mailto:claritycs@plantronics.com)  
Website: [www.clarityproducts.com](http://www.clarityproducts.com)

©2011 Clarity, a Division of Plantronics, Inc. All rights reserved.  
Clarity, D702HS, D704HS are trademarks or registered trademarks  
of Plantronics, Inc.  
Rev.A (04-08)  
PRINTED IN CHINA

## IMPORTANT SAFETY INSTRUCTIONS

Privacy of communications may not be ensured when using this phone.

Warning: To maintain the compliance with the FCC's RF exposure guideline, place the base unit at least 20 cm from nearby persons.

Warning: To reduce the risk of fire or injury to persons, read and follow these instructions.

1. Read and understand all instructions.
2. Follow all warnings and instructions marked on the telephone.
3. Avoid contact with liquids. Do not locate base unit or handset near water, for example, near a bathtub, wash basin, sink or laundry tub, in a wet basement or near a swimming pool.
4. Avoid using a telephone (other than a cordless type) during a storm. There may be a remote risk of electrical shock from lightning.
5. Do not use the telephone to report a gas leak in the vicinity of the leak.
6. Unplug this telephone from the wall outlets before cleaning. Do not use liquid cleaners or aerosol cleaners on the telephone. Use a damp cloth for cleaning.
7. Place this telephone on a stable surface. Serious damage and/or injury may result if the telephone falls.
8. Do not cover the slots and openings on this telephone. This telephone should never be placed near or over a radiator or heat register. This telephone should not be placed in a built-in installation unless proper ventilation is provided.
9. Operate this telephone using the electrical voltage as stated on the base unit or the owner's manual. If you are not sure of the voltage in your home, consult your dealer or local power company.
10. Do not allow anything to rest on the power cord or locate this product in an area where the power cord is likely to be damaged by furniture or foot traffic.
11. Do not overload wall outlets or extension cords as this can increase the risk of fire or electrical shock.
12. Never push any objects through the slots in the telephone. They can touch dangerous voltage points or short out parts that could result in a risk of fire or electrical shock. Never spill liquid of any kind on the telephone.

## IMPORTANT SAFETY INSTRUCTIONS

13. To reduce the risk of electrical shock, do not take this phone apart. Opening or removing covers may expose you to dangerous voltages or other risks. Incorrect reassembly can cause electric shock when the appliance is subsequently used.
14. Unplug this product from the wall outlet and refer servicing to the manufacturer under the following conditions: when the power supply cord or plug is frayed or damaged; if liquid has been spilled into the product; if the telephone has been exposed to rain or water; if the telephone has been dropped or the case has been damaged; if the telephone exhibits a distinct change in performance; if the telephone does not operate normally by following the operating instructions. Adjust only those controls that are covered by the operating instructions. Improper adjustment may require extensive work by a qualified technician to restore the telephone to normal operation; if the telephone does not operate normally by following the operating instructions.
15. This product should be operated only from the type of power source indicated on the marking label. If you are not sure of the type of power supply to your home, consult your local power company.
16. Do not attempt to open the AC adapter. There are potentially dangerous voltages inside, and there are no serviceable parts.
17. Discontinue use of product and contact Clarity if the product overheats, has a damaged cord or plug, if the product has been dropped or damaged or if the product has come into contact with liquids.
18. Use only the AC adapter provided with this product or a replacement AC adapter provided by Clarity.
19. This phone amplifies sound to loud volumes. To prevent hearing damage, all users of the phone should be informed of the high volume capability of the phone and children should only use the phone when supervised by an adult.
20. Exposure to high volume sound levels or excessive sound pressure may cause temporary or permanent damage to your hearing. Although there is no single volume setting that is appropriate for everyone, you should always use your telephone with the volume set at moderate levels and avoid prolonged exposure to high volume sound levels. The louder the volume, the less time is required before your hearing could be affected. If

## IMPORTANT SAFETY INSTRUCTIONS

you experience hearing discomfort, you should have your hearing checked by a doctor. To protect your hearing, you should:

- Set the volume control in a low position and gradually increase the volume as needed. Before pressing the BOOST button, reduce the volume to the lowest level. Use the phone on the lowest volume setting as possible.
  - Limit the amount of time you use the telephone at high volume levels.
21. If you experience a skin irritation after using this product, discontinue use and contact Clarity.

## BATTERY SAFETY INSTRUCTIONS

### Dispose of used batteries according to the instructions.

1. Do not dispose of the battery in a fire as it may explode. Check with local codes for possible special disposal instructions.
2. Do not open or mutilate the battery. Released electrolyte is corrosive and may cause damage to the eyes and skin. It may be toxic if swallowed.
3. Exercise care in handling batteries in order not to short the battery with conducting materials such as rings, bracelets and keys. The battery or conduction material may overheat and cause burns.
4. Remove batteries when they are discharged and when the equipment will not be used for an extended period of time. Dispose of batteries according to local environmental laws.
5. Do not disassemble, heat, crush, deform or puncture batteries.
6. Do not attempt to charge non-rechargeable batteries.
7. Keep batteries out of the reach of children.

## PACKAGING CONTENTS/LOCATION

The package contains the following items:

- 1 Handset
- 1 Charger base with attached power adapter
- 1 Belt clip
- 2 Rechargeable batteries
- 1 User guide

Your package includes all the items as shown here. If there is anything missing, please contact our Customer Care Department immediately.

**NOTE:** PLEASE RETAIN A COPY OF PROOF OF PURCHASE FOR YOUR RECORDS.

### Location

For maximum coverage and reduce the interference, here are some guidelines you should consider when you place the base unit:

- place it at a convenient, high, and central location with no obstructions between the handset and base unit in an indoor environment.
- place it away from electronic appliances such as televisions, microwave ovens, radios, personal computers, wireless devices or other cordless phones.
- avoid facing radio frequency transmitters, such as external antennas of mobile phone cell stations.
- avoid plugging it into the same circuit as other major household electrical appliances because of the potential for interference. Try moving the appliance or the base unit to another power outlet.

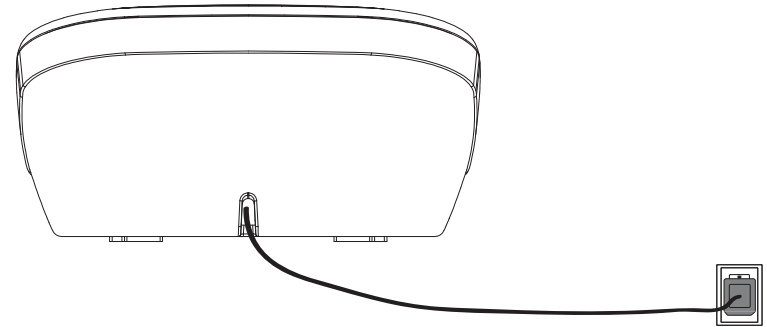
If the reception for a base unit location is not satisfactory, move it to another location for better reception.

Depending on the surrounding conditions as well as spatial and structural factors, the range may be reduced. The range indoors is normally less than outdoors.

## INSTALLING YOUR HANDSET

### Connecting the charger base station

- 1) Locate the charger base; note that the power adapter is permanently connected to your charger base.
- 2) Plug the end of power supply into the wall socket, as shown.



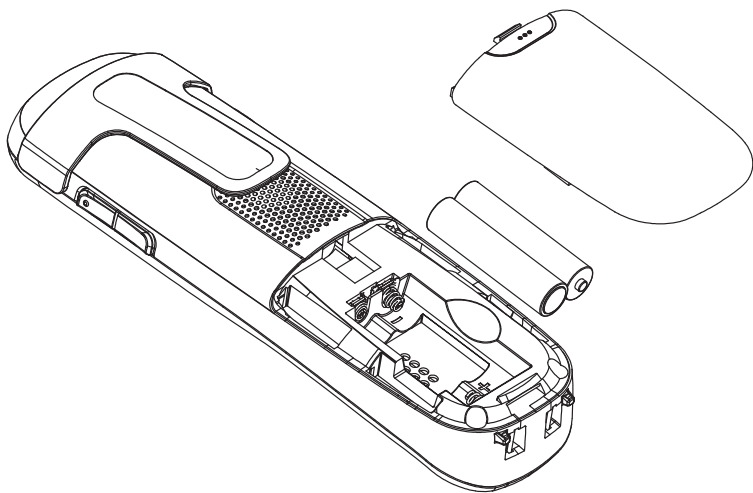
LinCode

## INSTALLING/CHARGING BATTERIES

- 1) Slide out the battery compartment cover.
- 2) Place the two batteries as indicated. Follow the polarity.
- 3) Slide the battery compartment cover back.
- 4) Put the handset on the base and charge for 16 hours first time. A beep indicates that the handset is properly placed on the base or charger.

### Use only NiMH rechargeable batteries.

NOTE: Please refer to the Battery Safety Instructions on page 6 for proper use and disposal of the batteries.



## HOW TO REGISTER YOUR HANDSET

Your telephone (sold separately) can support up to five cordless handsets. The additional handset(s) needs to register with the telephone base before use. You must register each additional handset separately.

The handsets provided within your main unit (sold separately) are already registered as **HANDSET 1** and so forth. Additional handsets are assigned numbers in the order they are registered (**HANDSET 2** to **HANDSET 5**).

When first purchased, all expansion handsets alternately display

- **Press FIND on base 4 sec**  
and
- **Then press # on handset.**

The new handset should be charged without interruption for at least 30 minutes before registering to the telephone base.

### How to add (register) your handset to the main unit (sold separately)

**NOTE: You must be in close proximity of your main unit's base in order to register the handset; please move to where you can access the FIND button on your main base (sold separately).**

1. In idle mode, press <MENU/SELECT>, then <UP/DOWN> to select **Registration**.
2. Press <MENU/SELECT> and screen will alternately show
  - **Press FIND on base 4 sec**  
and

## HOW TO REGISTER YOUR HANDSET

- **Then press # on handset**

3. Press and hold FIND on the telephone base for about four seconds.
4. Press # (pound key) on the handset. The screen shows **Registering...Please wait.**

When the handset is registered successfully, **HANDSET registered** and then **HANDSET X** appears on the screen, with **X** being the handset number (1-5).

If the registration is not successful, the handset screen shows **Registration failed.** Please start again from step 1 above.

**Note:** You cannot register a handset if any other system handset is in use. To register an expansion handset, follow from the step 3 as above.

## HOW TO DEREGISTER YOUR HANDSET(S)

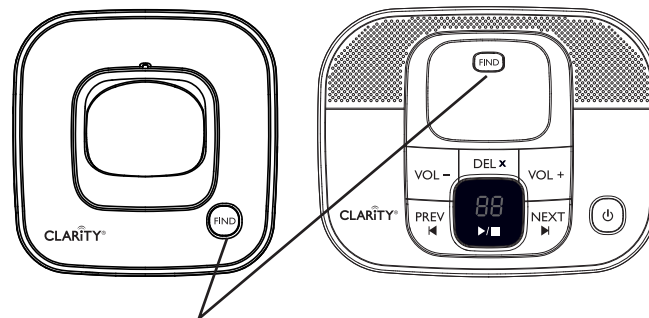
### Deregister all handsets

You can deregister handsets. You may need to deregister your handsets if:

- You have five registered handsets and need to replace a handset.
- OR-
- You wish to change the designated handset number of your registered handsets.

You must first deregister ALL the handsets, and then register each handset you wish to use again, one at a time.

If the base of your main unit is represented by either of the drawings below, follow the directions below the drawings:



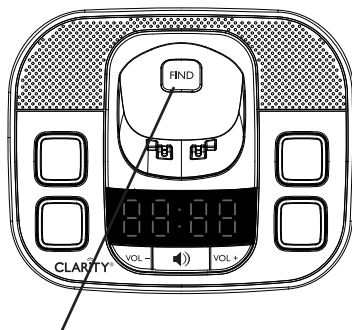
1. Press and hold FIND on the telephone base for about 24 seconds; release FIND.
2. Immediately press FIND again.
3. When complete, the handset screen alternately shows
  - **Press FIND on base 4 sec**and

## HOW TO DEREGISTER YOUR HANDSET(S)

- **Then press # on handset.**
4. To register the handset(s) to the telephone base again, follow the registration instructions in section [Register a handset](#).

**NOTE: There are no visual or audible alerts to indicate the base is under deregistration mode.**

If the base of your main unit is represented by the drawing below, follow the directions below the drawing:



1. Press and hold FIND on the telephone base for about 10 seconds, until the SPEAKER light starts flashing; release FIND.
2. Immediately press FIND again; you will hear two quick beep tones.
3. When complete, the handset screen alternately shows
  - **Press FIND on base 4 sec**
  - and
  - **Then press # on handset.**
4. To register the handset(s) to the telephone base again, follow the registration instructions in section [Register a handset](#).

## HOW TO DEREGISTER YOUR HANDSET(S)

### Note:

- If the deregistration process is not successful, you might need to reset the system and try again. To reset, unplug the power from the telephone base and plug it back in.
- You cannot deregister the handset(s) if any system handset is in use.

### Note:

- If your handset is registered to a base, you can re-register it to a different base **without** deregistering it from the original base. Just follow the directions in the section *How to add (register) your handset to the main unit (sold separately)*.

## FOR ADDITIONAL INFORMATION...

...Please refer to the user guide included with the main unit (sold separately). Once registered, your additional handset will perform the same functions as your existing main handset.

To identify the model number of your additional handset:

- Turn the charger base of your unit upside down; locate the colored round label on your base.
- Orange label: D704HS™, up to 40dB of gain
  - Compatible with:
    - D704;
    - D714;
    - D724.
- Green label: D702HS™, up to 30dB of gain.
  - Compatible with:
    - D702;
    - D712;
    - D722.

## Thank you...

... for purchasing this Clarity amplified telephone. We hope you will enjoy using your new system.

If you have any questions regarding the operation of this telephone, please contact one of our Customer Service Representatives for prompt and useful information.

Phone: 800-426-3738

Fax: 800-325-8871

Email: [claritycs@plantronics.com](mailto:claritycs@plantronics.com)

Website: [www.clarityproducts.com](http://www.clarityproducts.com)

## TECHNICAL INFORMATION

### Amplified dB Level:

- D702HS™ - 30dB
- D704HS™ - 40dB

### Dimensions

- Handset Size: 7" x 2 1/4" x 1 1/2" (H x W x D)
- Base Size: 2" x 3 3/4" x 3 1/2" (H x W x D)

### Weight

- Handset Weight: 6.125 oz. (with batteries)
- Base Weight: 2.75 oz.

### Power Requirements:

- AC Adapter (attached to base):
  - Input: 100V - 240V, 200mA
  - Output: 6VDC, 300 mA
- Battery: 2 X AAA, 600mAh Ni-MH

**Use only NiMH rechargeable batteries.**

**NOTE: DO NOT MIX BATTERIES; REPLACE BOTH BATTERIES WHEN NEEDED.**