

## LH10 Amplified Hearing Assistant





Please refer to our website: [www.teltex.com](http://www.teltex.com) for an up to date user guide, as there may be important updates and changes you need to be aware of.

<b>CONTENTS</b> .....	<b>2</b>
<b>INTRODUCTION</b> .....	<b>3</b>
Unpacking the LH10 .....	4
<b>DESCRIPTION</b> .....	<b>5</b>
General Description .....	5
<b>INSTALLATION</b> .....	<b>8</b>
Setting Up .....	8
<b>USING THE LH10</b> .....	<b>9</b>
Turning the LH10 On and Off .....	9
Tone and Balance Setting .....	10
<b>TROUBLESHOOTING</b> .....	<b>11</b>
<b>SAFETY INFORMATION</b> .....	<b>12</b>
<b>GUARANTEE</b> .....	<b>13</b>
<b>FCC STATEMENT</b> .....	<b>14</b>
<b>RECYCLING DIRECTIVES</b> .....	<b>15</b>

Congratulations on purchasing your Geemarc LH10. The LH10 is a rechargeable assistive listening device. It amplifies speech together with sounds from a variety of sources like TV, radio and telephone.

The LH10 can be used as an alternative to Hearing Aids when using headphones.

**Note:** users of digital hearing aids must make sure their aids have been programmed for use with the 'T' setting.

It is important that you read the instructions below in order to use your Geemarc LH10 to their full potential. Keep this user guide in a safe place for future reference.

## Unpacking the LH10

---

When unpacking the LH10, you should find the following in the box:

- 1 LH10
- 1 Pair of Earbuds with rubber ear cushions
- 1 Rechargeable Battery (3.7V Li-po)
- 1 Micro USB to USB Cable for recharging
- 1 A/C Charging Adapter
- 1 Belt Clip
- 1 User Guide
- 1 Telephone Adapter Kit



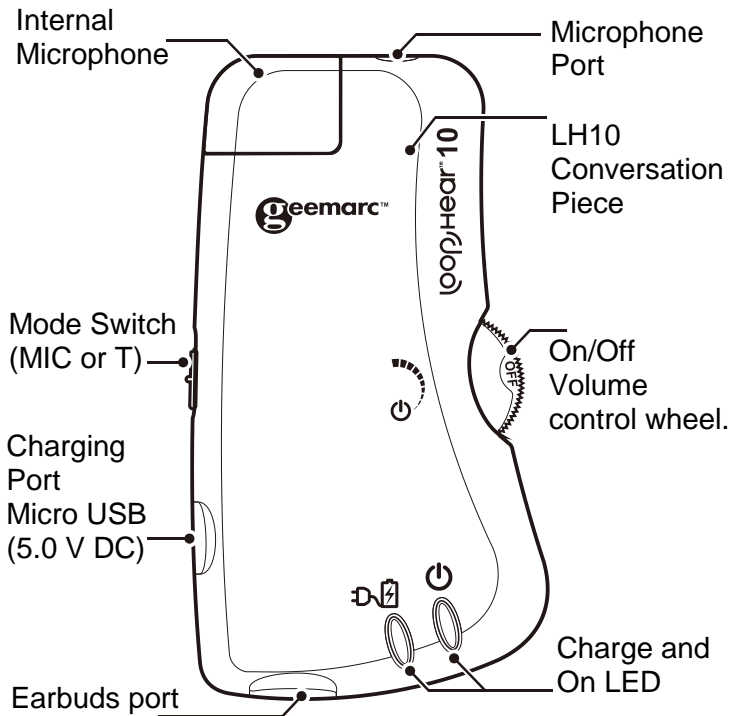
For product support and help visit:

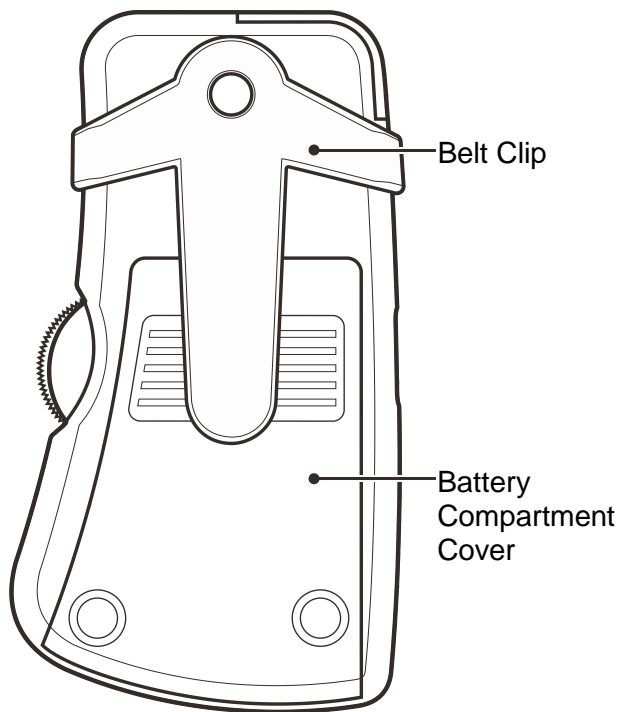
**[www.Teltex.com](http://www.Teltex.com)**

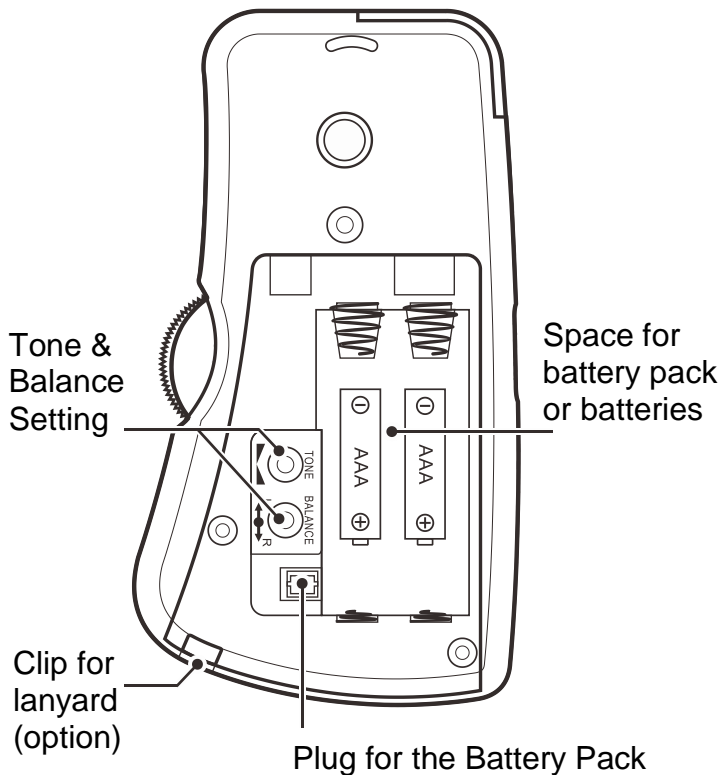
Toll Free (888) 515-8120

## General Description

---









## Setting Up

---

Open the battery compartment and connect the rechargeable battery pack (3.7V) to the Plug for the Battery Pack located inside the battery compartment.

Or insert 2 single batteries (1.5V AAA Alkaline) instead of the battery pack.

When using AAA batteries, if the 'On' LED turns red when in use, the LH10 needs to have new batteries (No Red LED indication when using the rechargeable battery).



To charge the battery, connect the supplied USB cable to the micro USB socket on the left hand side of the unit and then into the USB socket to PC or standard power supply 5V DC. The power supply LED turns red.

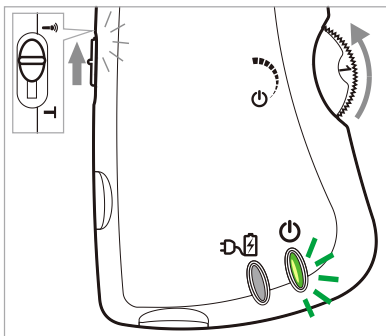
## Earbuds

Insert the earbuds plug into the earbuds port found on the base of the LH10.

## Turning the LH10 On and Off



---

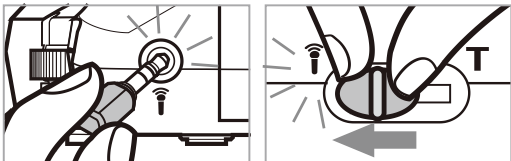
Ensure the mode switch is set to  (MIC). Roll the On/Off Volume control wheel upwards. The  (On) LED will display Green. Adjust the Volume to a comfortable level by rolling the On/Off Volume control wheel. Note: Volume Wheel has a maximum level of 6.



To turn the LH10 off, roll the On/Off Volume control wheel downwards. The Green LED will switch off and **OFF** will be showing on the On/Off Volume control wheel.

The LH10 can be used in rooms especially equipped with a magnetic loop (conference ...etc) due to its "built in T coil". Simply by setting the mode switch to **T**, the LH10 will receive the emitted magnetic waves then amplify them to your earbuds. You will receive all the benefits of the "built in T coil".



An external microphone (option) can be connected in the socket  "Mic", then set the switch to  "Mic" position, in this case the "built in T coil" is disabled.

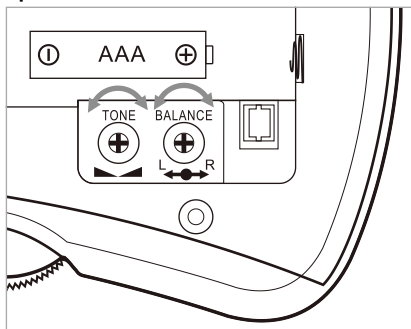


## Microphone

The LH10 is built with an internal microphone which enables you to hear all the surrounding sounds.

## Tone and Balance Setting

The tone () and Balance () can be adjusted by using the controls found within the battery compartment.



## **The 'On' LED is Red**

- Charge the battery if the battery pack is used or replace with new batteries if standard AAA batteries are installed.

## **The LH10 appears not to be working**

- Make sure that the earbuds are securely plugged in.
- Make sure that the volume is correctly adjusted.
- Make sure that the battery is fully charged or use good batteries.
- Make sure the mode switch is set to MIC if using earbuds/earpiece or T if using an induction loop.

## **The LH10 is not charging**

- Make sure that the Micro USB to USB Cable is plugged in correctly i.e. into a working wall socket and into the LH10.
- Make sure that the battery pack is inserted correctly and is of the recommended type.

## General

Do not open the unit. Contact the helpline for all repairs.

## Cleaning

Clean the LH10 with a soft cloth. Never use polishes or cleaning agents - they could damage the finish or the electrics inside.

## Environmental

Do not expose to direct sunlight.

Always ensure there is a free flow of air over the surfaces of the LH10.

Do not place any part of your product in water and do not use it in damp or humid conditions e.g. bathrooms.

Do not expose your product to fire or other hazardous conditions.

Avoid touching the LH10 Conversation Piece with clothing or hands, as this can create excessive noise.

# GUARANTEE

From the moment your Geemarc product is purchased, Geemarc guarantee it for the period of 2 years. During this time, all repairs or replacements (at our discretion) are free of charge. Should you experience a problem then contact our help line or visit our website at **[www.geemarc.com](http://www.geemarc.com)**. The guarantee does not cover accidents, negligence or breakages to any parts. The product must not be tampered with or taken apart by anyone who is not an authorized Geemarc representative. The Geemarc guarantee in no way limits your legal rights.

**IMPORTANT:** YOUR RECEIPT IS PART OF YOUR GUARANTEE AND MUST BE RETAINED AND PRODUCED IN THE EVENT OF A WARRANTY CLAIM.

**DECLARATION:** Geemarc Telecom SA hereby declares that this product is in compliance with the essential requirements and other relevant provisions of the Radio and Telecommunications Terminal Equipment Directive 2014/30/UE.

*The declaration of conformity may be located at [www.geemarc.com](http://www.geemarc.com)*



## FCC CLASS B

**NOTE:** This equipment has been tested and found to comply with the limits for a Class B digital device, pursuant to Part 15 of FCC Rules.

These limits are designed to provide reasonable protection against harmful interference in a residential installation. This equipment generates, uses and can radiate radio frequency energy and, if not installed and used in accordance with the instructions, may cause harmful interference to radio communications.

However, there is no guarantee that interference will not occur in a particular installation. If this equipment does cause harmful interference to radio or television reception, which can be determined by turning the equipment off and on, the user is encouraged to try to correct the interference by one or more of the following measures:

- Re-orient or relocate the receiving antenna.
- Increase the separation between the equipment and receiver.
- Connect the equipment into an outlet on a circuit different from that to which the receiver is connected.
- Consult the dealer or an experienced radio TV technician for help.

**NOTICE:** This device complies with Part 15 of the FCC Rules. Operation is subject to the following two conditions: (1) this device may not cause harmful interference, and (2) this device must accept any interference received, including interference that may cause undesired operation.

The WEEE (Waste Electrical and Electronic Equipment) has been put in place for the products at the end of their useful life are recycled in the best way.

When this product is finished with, please do not put it in your domestic waste bin.

Please use one of the following disposal options:

- Remove the batteries and deposit them in an appropriate WEEE skip. Deposit the product in an appropriate WEEE skip.
- Or, hand the old product to the retailer. If you purchase a new one, they should accept it.

Thus if you respect these instructions you ensure human health and environmental protection.

All electrical and electronic products including batteries should be disposed of separately from the municipal waste stream via designated collection facilities appointed by the government or the local authorities.

CAN ICES-3(B)/NMB-3(B)







UGLoopHEAR10\_EnFrGeSp\_V1.2

**geemarc™**  
Telecom SA **United Kingdom**

5B Swallow Court  
Swallowfields  
Welwyn Garden City  
Hertfordshire, AL7 1SB  
For product support:  
01707 387602  
[www.geemarc.com](http://www.geemarc.com)

**geemarc™**  
Telecom SA **FRANCE**

Parc de l'Etoile  
2 rue Galilée  
59791 Grande-Synthe Cedex  
Tél.service après vente :  
03 28 58 75 99  
[www.geemarc.com](http://www.geemarc.com)