

geemarcTM

loopHearTM



User Guide 1
Notice 17
Benutzerhandbuch 47
Guia del Usuario 51

CONTENTS

| | |
|-------------------------------|----|
| CONTENTS | 1 |
| INTRODUCTION | 2 |
| Unpacking the loopHEAR™ | 3 |
| DESCRIPTION | 4 |
| INSTALLATION | 6 |
| Setting Up | 6 |
| Locating the loopHEAR™ | 9 |
| USING THE loopHEAR™ | 10 |
| Turn the loopHEAR™ On | 10 |
| Turn the loopHEAR™ Off | 10 |
| Using the Headset | 10 |
| Using the External Microphone | 10 |
| TROUBLESHOOTING | 12 |
| SAFETY INFORMATION | 13 |
| GUARANTEE | 14 |
| RECYCLING DIRECTIVES | 16 |

INTRODUCTION

Congratulations on purchasing your Geemarc™ loopHEAR™. This is a portable induction loop system that can be used in a variety of locations, both public and private.

This tough but light unit is easily transported and an integral battery enables it to be freestanding. This battery is both replaceable and rechargeable and long usage can be expected (up to 24 hours). The loop is contained within the unit hence there are no trailing wires. The loopHEAR™ will cover an area of approximately 1m²/3.3ft². There is an integral microphone that picks up speech and conversations. An external microphone may be added if required (supplied). This induction loop system is designed to assist hearing aid users by transmitting direct to their telecoil equipped hearing aid (which must be switched to the 'T' position).

Note: users of digital hearing aids must make sure their aids have been programmed for use with the 'T' setting.

The outer carton has been specially designed as a handy carrying case. It is recommended to retain this carrying case to enable safe transportation when transporting the loopHEAR™.

Its is important that you read the instructions below in order to use your Geemarc™ loopHEAR™ to its full potential. Keep this user guide in a safe place for future reference.



INTRODUCTION

Unpacking the loopHEAR™

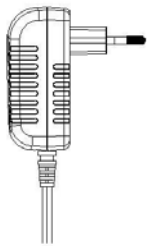
When unpacking the loopHEAR™, you should find the following in the box:

- 1 loopHEAR™
- 1 power adaptor/charging Unit. There are three country specific power adaptor/charging units. The one supplied is dependant on country of purchase -

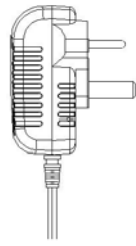
Europe version – VDE type linear power adaptor with right angled plug and 3 metre wire

UK version – UK type linear power adaptor with right angled plug and 3 metre wire

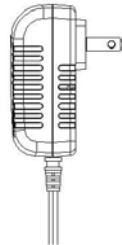
US version – cUL type line power adaptor with right angled plug and 3 metre wire



Europe



UK



USA

- 2 base plate mounting screws and washer
- 1 headset
- 1 external microphone with 3m extension lead, lapel clip and wall clip
- 1 user guide

DESCRIPTION

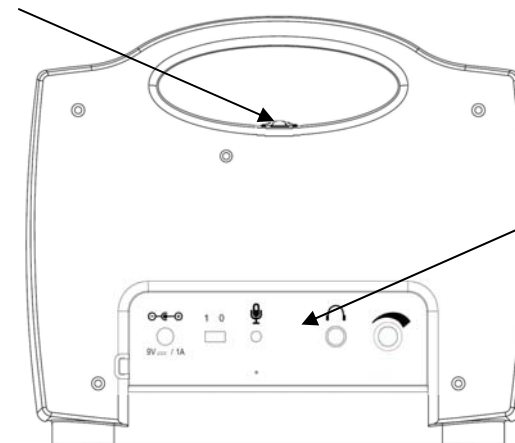
General Description

Front View



Rear View

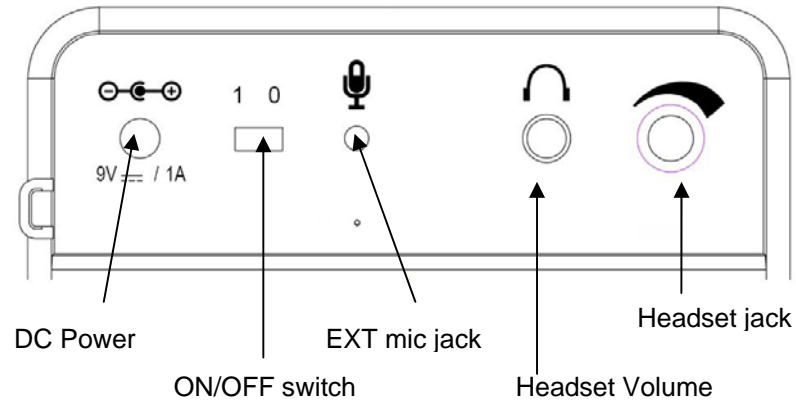
Power LED Indicator



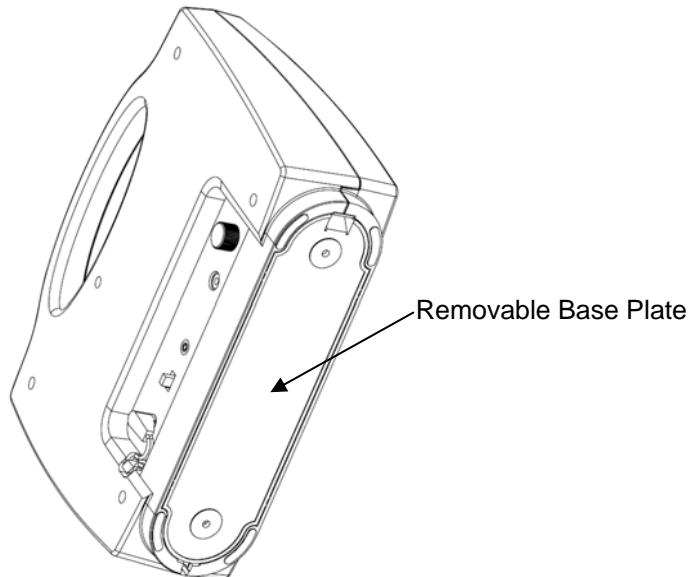
See below
Fig A

DESCRIPTION

Rear View (Fig A)



Base View



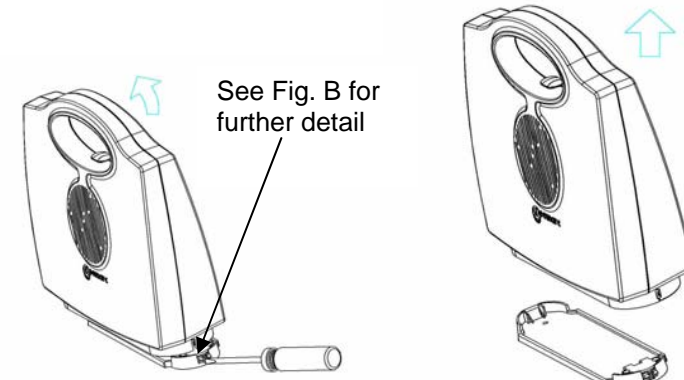
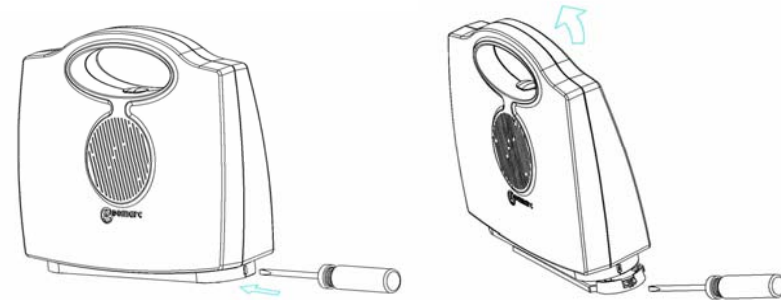
5

INSTALLATION

Setting Up

Battery Charging

Remove the base plate from the unit as shown below:



Insert a screwdriver into the opening of the catch mechanism. This is found on the bottom right of the base plate. Push the catch gently with the screwdriver - this will release the base plate. Lift the loopHEAR™ unit off the base plate.

6

INSTALLATION

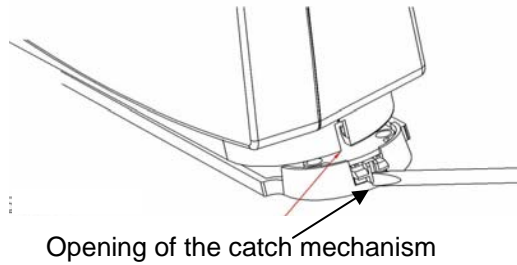
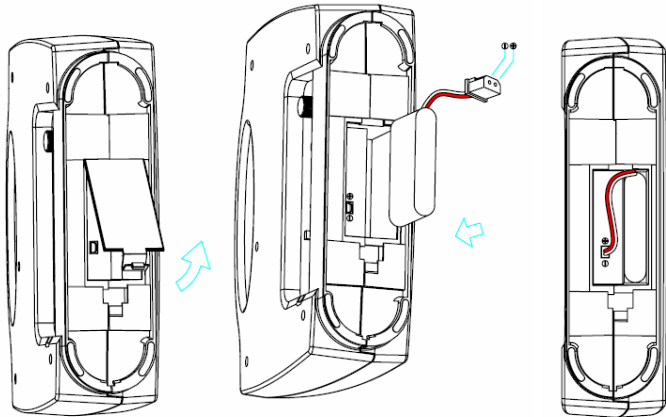


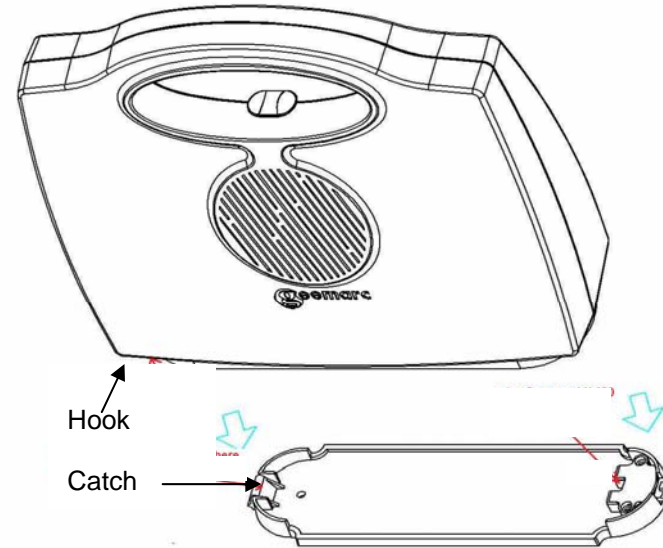
Fig B



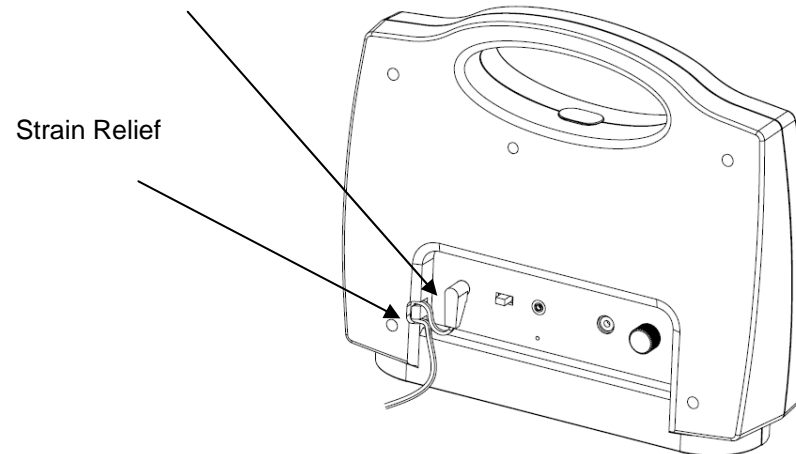
Remove the battery door. Insert the supplied rechargeable battery, plug the connector into the socket and replace the battery door.

INSTALLATION

Replace the base plate by placing the hook found on the bottom left of the loopHEAR™ into the catch on the base plate. Press the loopHEAR™ down gently until you hear a click.:



Plug the power cable into the power socket found on the rear of the unit. Plug the adaptor into the mains supply and switch the supply on.



INSTALLATION

Please use the strain relief mechanism as displayed. This provides extra protection for the cable at the connection point. It will extend the life of the power cable and reinforce the connection to the equipment.

The loopHEAR™ will need to charge for 4 hours before its first use. The power indicator will blink red whilst the battery is charging. When the power indicator is blinking green, the battery is fully charged.

Locating the loopHEAR™

In order to receive the optimal sound from the loopHEAR™, the ideal location is facing the user. There are two options when locating the loopHEAR™.

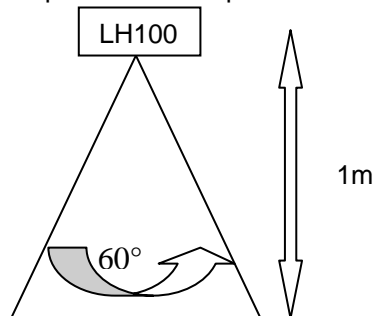
Fully Portable

The loopHEAR™ can be used as a fully portable unit with or without the base plate attached. It can be used in a variety of locations with no setup required and can be used immediately.

Semi Fixed

If you want to ensure the loopHEAR™ stays in one place then it can be used as a semi fixed unit as follows:

- 1) Choose the location to fix the loopHEAR™. Please bear in mind the range of coverage available (see below). Ensure you make full use of it
- 2) Remove the base plate – as described in Battery Charging above
- 3) Screw the base plate to the table or desktop with the screws provided
- 4) Replace the base plate – as described in Battery Charging above



USING THE loopHEAR™

Turn the loopHEAR™ On

Turn the power switch found at the rear of the unit to the **I** position. The power indicator lights up (solid green if the power adaptor is not plugged in, blinking green if it is plugged in).

When the battery is weak, the indicator will light up red (solid red if the power adaptor is not plugged in, blinking if it is plugged in). Plug in the power adaptor to recharge the battery.

Turn the loopHEAR™ Off

After use, turn off by setting the power switch at the back of the unit to the **0** position.

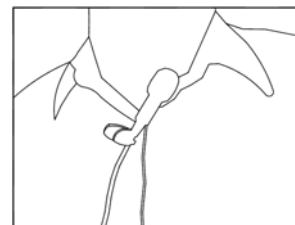
Using the Headset



A headset is supplied for hearing impaired users who do not use a hearing aid or do not have a 'T' switch on their hearing aid. Simply, plug the headset into the HEADSET jack (3.5mm), found at the rear of the loopHEAR™ unit. The volume can be adjusted by using the volume knob also found at the rear of the unit (turn knob clockwise to increase volume).

Using the External Microphone

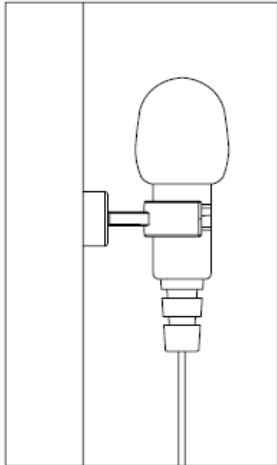
Plug the supplied microphone into the MIC JACK at the back of unit. The external microphone will now override the built-in microphone.



The external microphone has a clip. This is extremely useful for attaching to your lapel as illustrated. The external microphone can also be wall mounted with the wall clip supplied.

USING THE loopHEAR™

The external microphone can also be wall mounted with the wall clip supplied.



Simply stick the wall clip to the wall in the most convenient location. Gently push the external microphone into the microphone holder.

TROUBLESHOOTING

The RED LED is flashing

- Charge the battery

The loopHEAR™ keeps on switching off

- Make sure that the batteries are fully charged

You cannot hear clearly due to interference or you cannot hear at all

- .Make sure the loopHEAR™ is switched on and facing you
- .Move the loopHEAR™ closer to you

BATTERY USAGE:

To ensure that your loopHear™ is always ready for use please follow the recommendations below:

- Always switch off when not in use
- Always recharge the batteries after continuous use for more than 6 hours or when the red LED is ON
- Recharge the batteries every four months if the unit has been switched OFF for long periods of time

As a rough guide the battery will allow the following usage depending on the volume levels and ambient noise:

- STANDBY WHEN TURNED OFF MONTHS 4
- STANDBY WHEN TURNED ON BUT NOT IN USE 2 DAYS
- IN CONTINUOUS USE HOURS FROM FULLY CHARGED BATTERY 8

SAFETY INFORMATION

General

Do not open the unit. Contact the helpline for all repairs.

Cleaning

Clean the loopHEAR™ with a soft cloth. Never use polish or cleaning agents - they could damage the finish or the electronics inside.

Environmental

Do not expose to direct sunlight.

Always ensure there is a free flow of air over the surfaces of the loopHEAR™

Do not place any part of your product in water and do not use it in damp or humid conditions e.g. bathrooms.

Do not expose your product to fire or other hazardous conditions.

GUARANTEE

From the moment your Geemarc™ product is purchased, Geemarc™ guarantee it for the period of one year. During this time, all repairs or replacements (at our discretion) are free of charge. Should you experience a problem then contact our help line or visit our website at www.geemarc.com. The guarantee does not cover accidents, negligence or breakages to any parts. The product must not be tampered with or taken apart by anyone who is not an authorised Geemarc™ representative. The Geemarc™ guarantee in no way limits your legal rights.

IMPORTANT: YOUR RECEIPT IS PART OF YOUR GUARANTEE AND MUST BE RETAINED AND PRODUCED IN THE EVENT OF A WARRANTY CLAIM.

Please note: The guarantee applies to the United Kingdom only

DECLARATION: Geemarc™ Telecom SA hereby declares that this product is in compliance with the essential requirements and other relevant provisions of the Radio and Telecommunications Terminal Equipment Directive 1999/5/EEC and in particular article 3 section 1a, 1b and section 3.



GUARANTEE

Electrical connection: The apparatus is designed to operate from a 230V 50Hz supply only. (Classified as 'hazardous voltage' according to EN60950 standard).

RECYCLING DIRECTIVES

The WEEE (Waste Electrical and Electronic Equipment) has been put in place for the products at the end of their useful life are recycled in the best way.

When this product is finished with, please do not put it in your domestic waste bin.

Please use one of the following disposal options:

- Remove the batteries and deposit them in an appropriate WEEE skip.

Deposit the product in an appropriate WEEE skip.

- Or, hand the old product to the retailer. If you purchase a new one, they should accept it.

Thus if you respect these instructions you ensure human health and environmental protection.



For product support and help visit our website at www.geemarc.com

Telephone 01707 384438

Or fax 01707 372529