

# RCx-1000

## Remote Control Speakerphone Operating Guide



Model  
**RCx-1000**

Please read this operating guide carefully before use and keep it for future reference. If you have any questions, please contact our Customer Care Department.

Telephone: (562)-407-5400 Fax: (562)-483-2087

**Toll-Free Help Line: (866)-376-9271 (8AM-5PM PST, M-F)**

### **FOR BEST PERFORMANCE AND MAINTENANCE:**

The remote control uses radio waves to communicate with the main unit. Do not place the unit on or next to a metal surface, and must be away from electronic appliances such as TVs, radios, personal computers, wireless devices, or other phones, which can cause interference to the wireless signal. Also, if possible, place the unit facing away from radio frequency transmitters, such as external antennas of mobile phone cell stations.

The remote control range and voice quality of the RCx-1000 unit depends on the environment that it is used. If the reception control is not satisfactory, try moving the unit to another location, and avoid placing the unit near a window.

Keep the unit plugged into the electrical outlet at all times, except when cleaning. This will automatically recharge the optional back-up batteries, and keep the unit operational for incoming calls. It is recommended to use a surge protector to prevent damage to the RCx-1000 in case of power surges or electrical storms.

### **IMPORTANT SAFETY INSTRUCTIONS:**

#### **Warning:**

When using telephone equipment or electric appliances, basic precautions should always be followed to reduce the risk of fire, electrical shock and injury to persons, including the following:

1. To reduce the risk of injury, close supervision is necessary when a telephone is used near children.
2. Do not drop or subject the unit to high impact.
3. Do not contact moving parts or any exposed metal surface.

**IMPORTANT SAFETY INSTRUCTIONS** (CONT):

4. Unplug from outlet when not in use and before servicing or cleaning.
5. Do not use outdoors. Do not use near water.
6. To disconnect, turn all controls to the off position, then remove plug from outlet.
7. Do not unplug by pulling on cord. To unplug, grasp the plug, not the cord.
8. Do not operate any appliance with a damaged cord or plug, or if the telephone malfunctions or is dropped or damaged. Return telephone to the nearest authorized service facility for examination, repair, or electrical or mechanical adjustment.
9. Use only the power cord and batteries indicated in the manual. Do not dispose of batteries in fire, they may explode. Check local codes for possible special disposal instructions. Do not open or mutilate the battery. The released electrolyte is highly corrosive and may cause eye or skin damage and may be toxic if swallowed. Be careful when handling batteries to not short the battery with such conducting materials as rings, bracelets or keys. Shorting a battery can be dangerous causing the battery to overheat and cause burns.

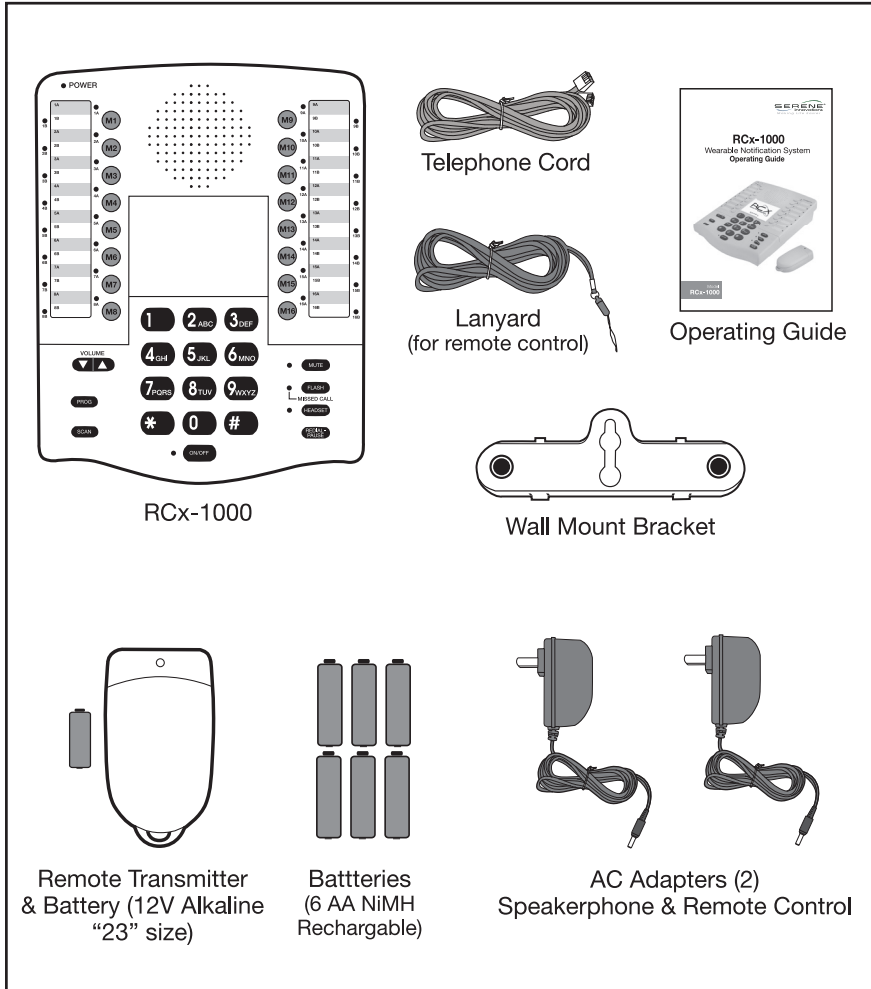
**Warning:**

For safety consideration, before changing batteries, always disconnect telephone cord to wall jack.

10. Plug the power adapter into the socket-outlet that is nearest the equipment and easily accessible.
11. Avoid using any telephone product during an electrical storm. There may be a remote risk of electric shock from lighting.
12. Do not use the telephone to report a gas leak in the vicinity of the leak.
13. Only use attachments recommended or sold by the manufacturer.

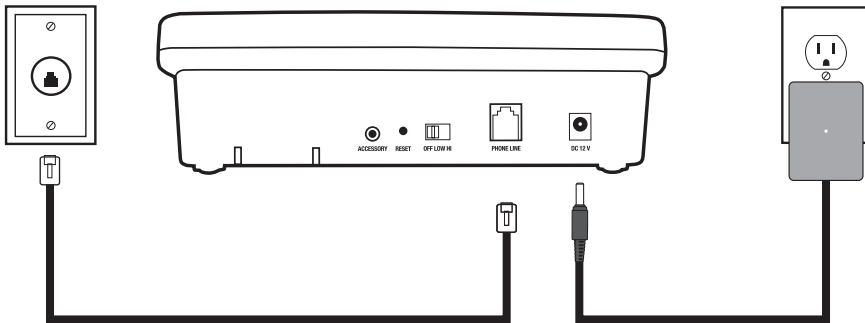
## PACKAGE CONTENTS:

Your package includes all the items as shown here. If there is anything missing, please contact our Customer Care Department immediately.



## CONNECTIONS:

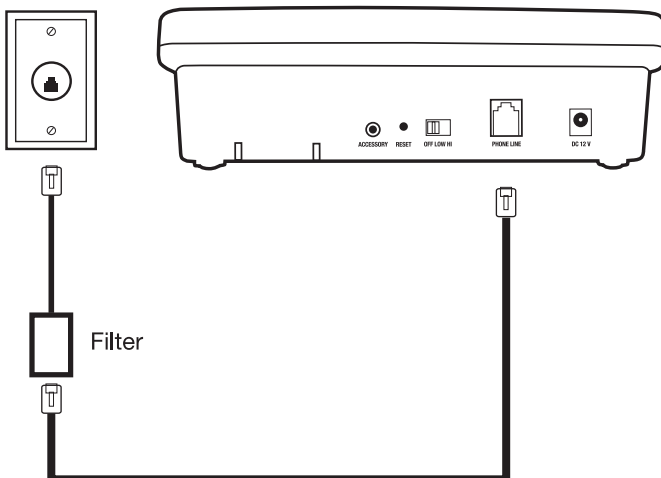
Connect your telephone as shown. When finished, press the On/Off to test. If you hear a dial tone, your telephone is ready. If not, check all connections.



## PHONE LINES WITH DSL SERVICE:

Phone lines “bundled” with Internet service

- The DSL signal may interfere with the operation of the speaker-phone feature of this telephone.
- We recommend purchasing a DSL filter and inserting it into the wall jack to minimize signal interference. (DSL filters can be sourced through electronics stores.)



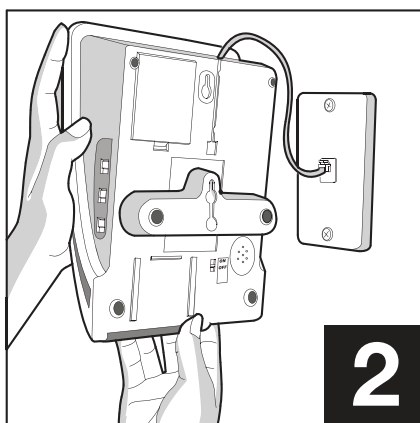
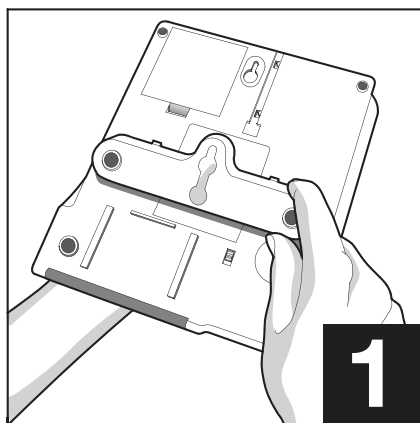
**VOIP:**

(Voice over Internet Protocol) Telephone Service

All Serene telephones are compatible with typical VoIP services when used with an analog telephone terminal adapter provided by your VoIP service provider. However, you may occasionally encounter a rare voice quality problem where a VoIP call may not be as clear or as loud as you like. In this case, we recommend hanging up and recalling your party.

**WALL MOUNTING (OPTIONAL):**

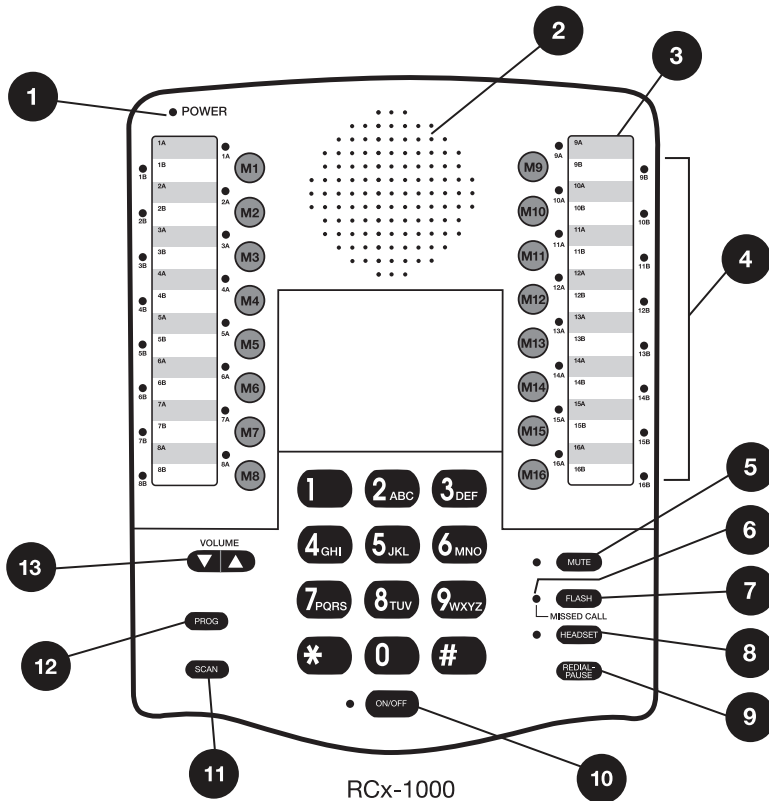
1. Fit the wall mount bracket into the base of the telephone.
2. Connect and use a short telephone cord (user provided). Align and put the mounting holes over the heads of the wall plate screws (make sure the screw head protrudes enough, if not, use a screwdriver to adjust), and slide the telephone downward slightly to lock the telephone in place.

**FACTORY PRESETS:**

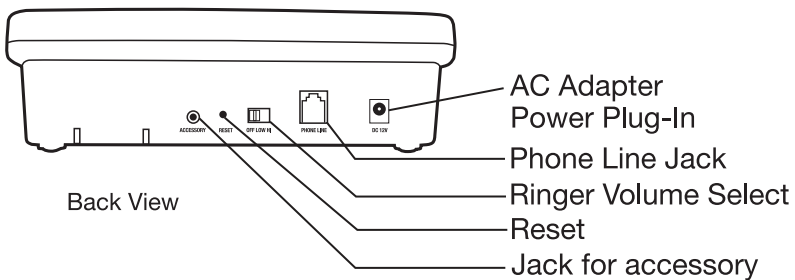
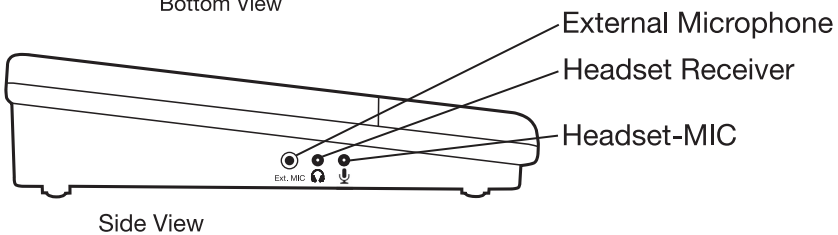
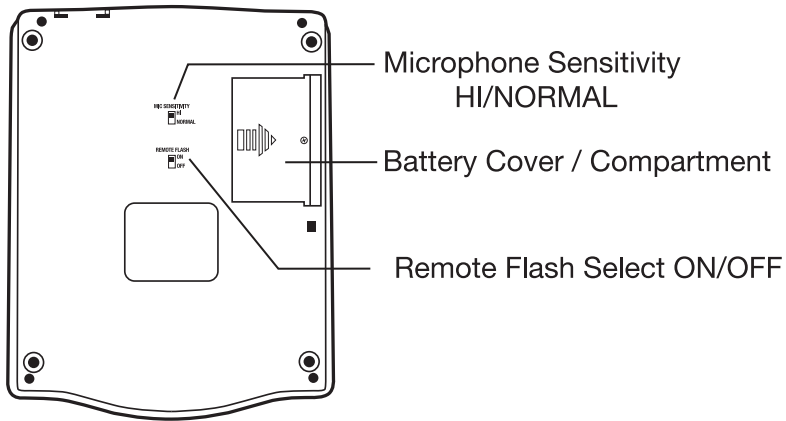
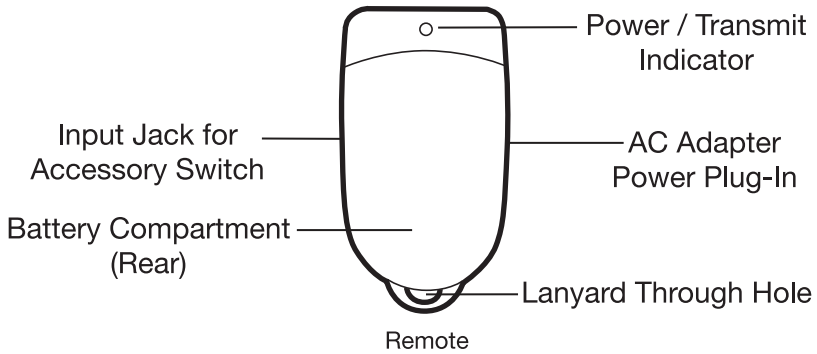
The RCx-1000 comes with the following operating settings from the factory:

1. Scan rate is 1.5 seconds per memory location.
2. Voice activated answer function **-OFF**
3. Voice Mail / Missed call indicator is enabled – **OFF**.
4. Ring volume switch set to **HI**.
5. “0” Operator is programmed into first memory location M1.
6. Remote flash switch is disabled – **OFF**.

## FEATURE IDENTIFICATION :



1. Power Indicator
2. Speaker
3. Memory Directory (both sides)
4. Memory Indicators (both sides)  
Memory Buttons (M1-M16)  
(Each button contains A/B for a total of 32 entries)
5. Mute Button / Indicator
6. Missed Call Indicator
7. Flash Button
8. Headset Button / Indicator
9. Redial / Pause
10. On / Off Button / Indicator
11. Scan Button
12. Program Button
13. Volume Control Up / Down

**FEATURE IDENTIFICATION (CONT):**



## SETTING UP THE RCx-1000:

### Main Unit

Six(6) AA NiMH rechargeable batteries have been pre-installed. Pull out and remove the battery tab to engage the batteries, and then charge for at least 12 hours. Connect the unit with the AC adapter.

### PLEASE NOTE:

The batteries are for backup purposes in case of a power outage, If the batteries need to be replaced, remove the security screw and open the battery compartment door as shown.

**DO NOT USE NON-RECHARGEABLE** batteries. They will damage the unit and void the warranty.

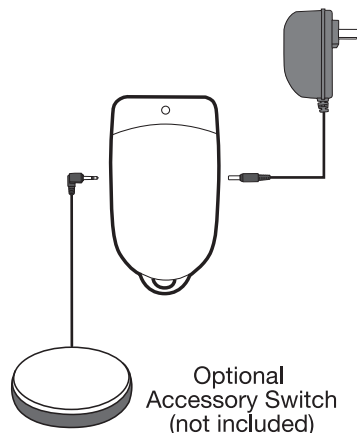
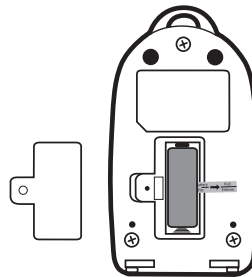
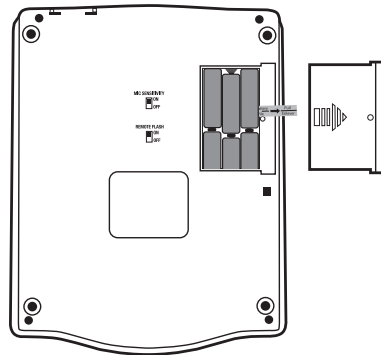
### Remote Control Unit

The remote control unit can be powered by an AC adapter with battery backup. With AC adapter, under normal application and usage, it can extend the life of the battery and lessen the need to replace the battery.

The battery has been pre-installed. Pull out and remove the battery tab to engage the battery. If the battery needs to be replaced, remove the security screw and open the battery compartment door as shown.

Normal battery usage will last about 6-12 months. If the power indicator light is dim or does not come on when the remote button is pressed, check the AC adapter, and replace the battery.

An optional accessory switch can also be used with the remote unit.



Optional  
Accessory Switch  
(not included)

## SETTING UP THE RCx-1000 (CONT):

### Pairing Remote Control with Telephone

1. With RCx-1000 idle, press and hold the **FLASH** button until a long “beep” sound is heard and the indicator next to the button is flashing.
2. Press and hold the remote control button until a “beep” sound is heard from both the remote control and the RCx-1000. Pairing is complete.

#### NOTE:

- a. The pairing period is available for 20 seconds only.

### Setting the Scan Timing

All memory locations that have telephone numbers stored will be automatically scanned when the RCx-1000 is activated, either by pressing the SCAN button on the unit, by the remote control or from an attached accessory to the unit.

1. Press the **PROGRAM** button.
2. Select the scan pause time between stored memory locations. Press the corresponding number key one time.
3. Press the **SCAN** button to confirm.

KEY	Pause between Memory (Seconds)
1	5
2	4.5
3	4
4	3.5
5	3
6	2.5
7	2
8	1.5
9	1
0	Scan Function Off

## SETTING UP THE RCx-1000 (CONT):

### To Turn Voice Activation On/Off (Default is Off)

1. Press the **PROGRAM** button.
2. Press the **MUTE** button twice. The **MUTE** indicator will flash once and the unit will generate a long “beep” to confirm the function is turned On.
3. To turn off the voice activation function, repeat the above steps.  
**Please Note:** The **MUTE** indicator will not flash.

### To Turn Missed Call Indication On/Off (Default is OFF)

1. Press the **PROGRAM** button.
2. Press the **HEADSET** button twice. The **HEADSET** indicator will flash once and the unit will generate a long “beep” to confirm the function is turned On.
3. To turn off the function, repeat the above steps.  
**Please Note:** The **HEADSET** indicator will not flash.
4. The indicator (next to the FLASH button) will blink when missed call has been detected.

### To Turn Remote Flash Feature On/Off (Default is Off)

1. Slide the Remote Flash select switch on the bottom of the telephone
  - When **On**, press the remote control button to instruct the telephone to wait 3 seconds before hangup.
  - When **Off**, the unit will hang up when remote is pressed.

### For Volume Adjustments

1. Press the **VOLUME UP** or **VOLUME DOWN** button to increase or decrease the speaker volume of the telephone.
2. If headset is used and attached to the telephone, press the **VOLUME UP** or **VOLUME DOWN** button to increase or decrease the headset speaker volume.

## OPERATIONS :

Before operating the RCx-1000, make sure the telephone has the AC adapter power connected, the remote control is operational, and the telephone is properly set up from the previous section.

For best communication clarity, speak into the telephone about 12 inches away (30 cm) (and not to exceed 15 feet).

Place the telephone in an open area, away from any nearby materials that may obstruct the microphone. Do not place the telephone next to a loud audio sound source such as a radio or a TV speaker. Adjust the volume control buttons and ring select to best suit your hearing needs.

### Programming Numbers into Memory

The RCx-1000 can store up to 32 numbers, using 16 memory buttons for fast, one-touch dialing. **M1–M16** (each button can store 2 numbers)

1. Press the **PROGRAM** button.
2. Dial the telephone numbers (up to 32 digits).
3. Select a memory button to store the number. (**M1 - M16**)
  - Press once for the 1st position, the 1st indicator will be lit.
  - Press twice for the 2nd position, the 2nd indicator will be lit.
4. After 2 seconds, the telephone will sound a “beep” to confirm, and the selected memory indicator light will turn off.
5. To store another number in memory, repeat the above steps.
6. If an error was made, repeat the above steps to store again.
7. To erase a store memory number:
  - a. Press the **PROGRAM** button
  - b. Press the **FLASH** button
  - c. Press the memory location once (for the 1st position) or twice (for the 2nd position).

**Note:** During pre-dialing or programming memory locations, press the **Redial / Pause** button will insert a 2-second pause into the dialing sequence. For example, 9 P 7 2 2 8 8 5 0 where “P” represents a 2-second pause. This pause is needed to access an outside line on some business telephones.

## OPERATIONS (CONT):

### Answering Calls

1. Remote Control: Press the button once to answer. To end the call, press the remote button again. **OR**
2. **On/Off** button: Press the **On/Off** button on the main unit. To end the call, press the **On/Off** button again. **OR**
3. Voice Activation: Answer function (function must be **On**)
  - After 3 rings on the incoming call, say “Hello” loudly or whistle loudly towards the telephone’s microphone. (If a headset is used with the telephone, say “Hello” loudly or some sound into the headset's microphone).
  - To end the call, press the **On/Off** button or press the remote button or let the telephone turn itself off when it’s busy tone signal is detected.

**Please Note:** When the calling party ends a call, the telephone company switching office may or may not reestablish a dial tone or a busy tone on your line. It is recommended to press the **On/Off** button on the telephone, or press the remote control to end the call.

### Making Calls – With Remote Control (SCAN function On)

1. The RCx-1000 is not in use.
2. Press the remote control push button once.
3. The telephone will begin scanning and scroll all the memory buttons with stored numbers. The memory indicator lights will light up one by one with the preset scan pause timing.
4. When the desired memory location is lit, press the remote control push button once to select and it will stop further scanning. (Note: If after 3 cycles of memory scanning and the remote control did not make a selection, the **M1** (1st position) stored numbers will be dialed out.)
5. The telephone will turn on, and dial the stored numbers.
6. Press the remote control push button again once end up the call.

## OPERATIONS (CONT):

### Making Calls – With Remote Control (SCAN function Off)

1. The RCx-1000 is not in use.
2. Press the remote control push button once.
3. The telephone will turn **On** and dial the M1(1st position) stored number.

### Making Calls – Using the SCAN Button

To use the scan feature on the unit, the **SCAN** function has to be turned on. If the **SCAN** function is off, please refer to the earlier section regarding the setting of scan timing.

1. The RCx-1000 is not in use.
2. Press the **SCAN** button once.
3. The telephone will start scanning and scroll through all of the numbers stored in the memory. The memory indicator lights will light one by one (with the preset scan pause timing.)
4. When the desired memory location is lit, press the **SCAN** button to select, and it will stop further scanning. (Note: If after 3 cycles of memory scanning and the **SCAN** button did not make a selection, the **M1** (1st position) stored number will be dialed.)
5. The telephone will turn on, and dial the stored number in that memory location.
6. Press the **On/Off** button again to end the call.

### Making Calls - Dial from Keypad

1. Press the **On/Off** button, and wait for the dial tone.
2. Dial the telephone number using the keypad.
3. Press the **On/Off** button again to end the call.

### Making Calls - Dial from Memory Buttons(M1-M16)

1. Press a **MEMORY** button. Press once for the 1st position of **MEMORY(A)**, and twice for the 2nd position of **MEMORY(B)**. The indicator will be lit to show which position of **MEMORY** is selected.
2. The unit will turn on after 3 seconds, and dial the selected memory stored number.
3. Press the **On/Off** button again to end the call.

## OPERATIONS (CONT):

### Making Calls – Dial M1 (1st position)

- Press the **On/Off** button once. **OR**
- Press the **M1** button once. **OR**
- If the scan function is **Off**, press the remote button once; **OR**
- If the scan function is **On**, press the remote button once, to let the unit scan all memory locations for 3 cycles with no selection. At the end of 3 cycles the telephone will automatically dial the stored number in **M1**.

### REDIAL Last Numbers

#### Using the Remote Control:

1. The RCx-1000 is not in use.
2. Press and hold the remote control button for 2 seconds until the remote sounds a “beep”.
3. The telephone will turn on, and dial the last dialed number.
4. Press the remote control button again to end the call.

#### Using the REDIAL button on the unit:

1. Press the **On/Off** button, and wait for the dial tone.
2. Press the **REDIAL** button. The unit will dial out the last dialed numbers (maximum of 32 digits)
3. Press the **On/Off** button again to end the call.

### FLASH Button

The **FLASH** button is used to access special telephone functions and services available from your local telephone company, such as call waiting, 3-way calling and others. Please contact your telephone company for more information.

**Note:** The flash function can also be accessed by the remote control. Make sure the **Remote Flash Select** switch on the bottom of the main unit is switched to **ON**. During call conversations, a quick press on the remote control button **twice** in succession, within 3 seconds, will generate the flash function.

## **OPERATIONS** (CONT):

### **MUTE Button**

During a call conversation, press the **MUTE** button on the telephone once to mute the microphone for privacy. The mute indicator will light up while the mute function is enabled. Press the **MUTE** button again to un-mute the microphone. (The mute indicator will be off.)

### **HEADSET Button** (Headset not included)

During a call, press the **HEADSET** button once to transfer the conversation to the headset port. The microphone and speaker on the telephone will be disabled. The headset indicator light will light up.

Press the **HEADSET** button again to return the conversation to the telephone's microphone and speaker. The headset indicator light will turn off.

### **External Microphone**

The RCx-1000 provides an input jack for an external microphone. This feature provides an option for users who have weak voices to use a highly sensitive microphone and/or extend the microphone reception. The internal microphone will be disabled when the external microphone is used.

### **Air Switch and Other Switch Accessories**

The RCx-1000 provides an input jack for accessories, such as an air switch or a pillow switch. It is a simple close contact switch. The function will be the same as the remote control push button. Refer to the operation details using the remote control unit.



## **TROUBLESHOOTING :**

### **No dial tone**

- Check all phone line connections.

### **No power**

- Check power connections

### **Cannot dial out**

- Check all phone line connections and power connections

### **Cannot dial memory numbers**

- No numbers in memory

### **Remote Control not working**

- Check or replace battery in remote control
- Pair the remote control to the unit
- Make sure the telephone is not located on or near metal surfaces or electrical equipment

### **Cannot pair the remote control**

- Replace the remote control battery

### **No ringing on incoming calls**

- Check that ringer switch is not set to “OFF”

### **Does not scan through memory**

- Turn on the SCAN function on the unit

### **Memory scanning is too fast or too slow**

- Re-program the scan rate on the unit

### **Conversations cuts in and out**

- Try not to speak at the same time as the calling party.

## **CLEANING :**

1. Disconnect telephone from electrical outlet before cleaning. Use only a soft, dry cloth (or damp cloth with a mild detergent) to clean this unit. Do not use any solvents, chemicals or cleaning solutions containing alcohol, ammonia or abrasives on this unit.

## **OPTIONAL ACCESSORIES:**

The RCx-1000 and its remote control can be customized with accessories (which use a 3.5 mm plug for connection) to meet personal requirements and preferences. Accessory switches require a switch contact that must be “normally open” type and must momentarily close when activated. We invite you to contact us ( or your favorite supplier) for additional information or assistance regarding these accessories.

### **External Microphone:**

This highly sensitive microphone can be clipped to your collar. Ideal for those with weak voices.

### **Headset w/Microphone:**

Lightweight and comfortable to wear. Allows privacy, personal conversations. Ideal for business calls.

### **Air Switch:**

Control the functions of the RCx-1000 by blowing gently into the sensor. Attach to the rear of the RCx-1000 or to the remote control.

### **Pillow Switch:**

Control the functions of the RCx-1000 by gently pressing this switch with your arm, leg, head, shoulder or other body part.

### **Tread Switch:**

Use this pedal type switch to activate the RCx-1000.

### **Leaf Switch:**

Activate the RCx-1000 by flicking the lever of this accessory switch.

### **Lolly Switch:**

Control the RCx-1000 by applying a slight pressure to this switch's touch plate.

### **Pneumatic Switch/Sip n Puff:**

Pneumatic switch connects to the Sip n Puff. Blow or sip once into the mouthpiece of the Sip n Puff to activate the RCx-1000.

## SPECIFICATIONS :

### Power requirements for Telephone (optional for remote control)

AC adapter : Input .....100-240VAC, 50/60 Hz, UL listed

Output .....12VDC 500mA

### Backup Batteries:

Main Unit .....6-AA size NiMH rechargeable  
batteries (included)

Duration .....About 6 hours

Remote Control.....12V Alkaline battery “23A” size  
(included)

Duration.....About 6-12 months

Remote Control Frequency.....433.92 MHz, ASK

Remote Control Range.....About 80 feet

Flash Time.....600 msec.

Dimensions.....220 x 280 x 68 mm

Weight.....About 0.9 Kg

Temperature.....Operating: 0 to 30 C

Storage.....-10 to 40 C

Specifications are subject to change.

## WARRANTY SERVICE INFORMATION:

Your **RCx-1000 Remote Control Speakerphone** comes with a one year limited warranty. We warrant during this warranty period from the date of purchase to the original consumer that **RCx-1000 Remote Control Speakerphone** will be free from defects in materials and workmanship under intended home use. In the event that **RCx-1000 Remote Control Speakerphone** fails to function properly within one year of original purchase due to defects in materials or workmanship, return the unit (freight prepaid) with proof of purchase (sales receipt or packing slip, no exceptions) to Serene Innovations. Serene Innovations will either repair or replace the unit (with a refurbished unit or unit of equal condition) and return it to you (using UPS/USPS ground shipping) at no cost to you, if the unit is returned within 30 days of purchase. If the unit is returned after 30 days of purchase but within the warranty period, there will be a warranty handling charge of U.S. \$9.95 for each return.

**WARRANTY SERVICE INFORMATION** (CONT):

This warranty does not apply to any product that has been accidentally damaged due to: abuse, misuse, negligence, use on electrical frequency or voltage other than marked on product and/or described in this manual. Defects or errors caused by unauthorized alterations, repairs and/or tampering are also not covered by this warranty. This warranty gives you specific legal rights. You may have other legal rights that vary from state to state. If a defect covered by this warranty should occur, promptly contact a Customer Care Representative by phone or log on to [www.sereneinnovations.com](http://www.sereneinnovations.com) to obtain a Return Merchandise Authorization number and shipping instructions before returning the product to us. Any shipment without a RMA will not be accepted and will be returned to you at your expense.

Any authorized returned product must be accompanied with proof of purchase and a brief description of the problem. For out of warranty repair and service, please contact our Customer Care Department for directions.

**FCC INFORMATION FOR USA CUSTOMERS ONLY:**

This equipment complies with Part 68 of the FCC rules and the requirements adopted by the ACTA. On the bottom of this equipment is a label that contains, among other information, a product identifier of [US: XXXXXXXXX]. If requested, this number must be provided to the telephone company. If this equipment, causes harm to the telephone network, the telephone company will notify you in advance that temporary discontinuance of service may be required.

But if advanced notice isn't practical, the telephone company will notify the customer as soon as possible. Also, you will be advised of your right to file a complaint with the FCC if you believe it is necessary. The telephone company may make changes in this facility's equipment, operations or procedures that could affect the operation of the equipment. If this happens the telephone company will provide advanced notice in order for you to make the necessary modifications to maintain uninterrupted service. If you experience trouble with this equipment, disconnect it from the network until the problem has been corrected or until you are sure that the equipment is not malfunctioning. Please follow instructions for repair, if any (e.g., battery replacement section); otherwise do not alternate or repair any parts of device except as specified. Connection to party line service is subject to state tariffs.

## **FCC INFORMATION FOR USA CUSTOMERS ONLY** (CONT):

Contact the State Public Utility Commission, Public Service Commission or Corporation Commission for information. If the telephone company requests information on what equipment is connected to their lines, inform them:

- A. The telephone number that this unit is connected to,
- B. The ringer equivalence number [REN],
- C. The USOC jack required [RJ11C], and
- D. The FCC Registration Number [US: XXXXXXXXX].

Items (B) and (D) are indicated on the label. The ringer equivalence number (REN) is used to determine how many devices can be connected to your telephone line. In most areas, the sum of the RENs of all devices on any one line should not exceed five (5.0). If too many devices are attached, they may not ring properly.

### **This equipment complies with Part 68 of the FCC Rules.**

On the equipment is a label that contains, along with other information, the FCC Registration Number and Ringer Equivalence Number (REN) for this equipment. If requested, this information must be provided to your telephone company.

This equipment uses the following Universal Service Order Codes ("USOC") jacks: RJ-11. Connection to the telephone network should be made by using standard modular telephone jack type RJ11.

The REN is useful to determine the quantity of devices you may connect to your telephone line and still have all of those devices ring when your telephone number is called. In most, but not all areas, the sum of the RENs of all devices connected to one line should not exceed five (5.0). To be certain of the number of devices you may connect to your line, as determined by the REN, contact your local telephone company to determine the maximum REN for your calling area.

If your telephone equipment causes harm to the telephone network, the telephone company may discontinue your service temporarily. If possible, they will notify you in advance. But if advanced notice is not practical, you will be notified as soon as possible. You will be informed of your right to file a complaint with the FCC.

Your telephone company may make changes in its facilities, equipment, operations or procedures that could affect the proper functioning of your equipment. If they do, you will be notified in advance to give you an opportunity to maintain uninterrupted telephone service.

In the event this equipment should fail to operate properly, disconnect the unit from the telephone line. Try using another FCC approved telephone in the same telephone jack. If the trouble persists, call the telephone company repair service bureau.

If the trouble persists and appears to be with this unit, disconnect the unit from the telephone line and discontinue use of the unit until it is repaired. For repair or

## FCC INFORMATION FOR USA CUSTOMERS ONLY (CONT):

warranty information, please contact Serene Innovations, Inc. at 562- 407 5400. Please note that the telephone company may ask that you disconnect this equipment from the telephone network until the problem has been corrected or until you're sure that the equipment is not malfunctioning.

There are no user serviceable parts in this equipment.

This equipment may not be used on coin service provided by the telephone company. Connection to party lines is subject to state tariffs. Contact the state Public Utility Commission, Public Service Commission for information.

If your home has specially wired alarm equipment connected to the telephone line, ensure the installation of this equipment does not disable your alarm equipment. If you have questions about what will disable alarm equipment, consult your telephone company or a qualified installer.

### Part 15 of FCC Rules Information

This device complies with Part 15 of the FCC rules. Operation is subject to the following two conditions: (1) this device may not cause harmful interference, and (2) this device must accept any interference received, including interference that may cause undesired operation. This equipment has been tested and found to comply with the limits of a Class B digital device, pursuant to Part 15 of FCC rules. These limits are designed to provide reasonable protection against harmful interference in residential installation.

This equipment generates, uses, and can radiate radio frequency energy and, if not installed and used in accordance with the instructions, may cause harmful interference to radio communications. However, there is no guarantee that interference will not occur in a particular installation. If this equipment does cause harmful interference to radio or television reception, which can be determined by turning the equipment off and on, you may try one the following methods to correct the interference:

1. Where it can be done safely, re-orient the receiving television or radio antenna.
2. To the extent possible, relocate the television, radio, or other receiver, with respect to the cordless phone.
3. Connect the cordless phone AC adapter into a different electrical outlet.
4. Consult the dealer or an experienced radio/TV technician for help. Modification: Any modification not expressly approved by the manufacturer of this device could void the user's authority to operate the device.

**NOTICE: The Industry Canada label identifies certified equipment.** This certification means that the equipment meets telecommunications network protective, operational, and safety requirements as prescribed in the appropriate Terminal Equipment Technical Requirements document(s). The Department does not guarantee the equipment will operate to the user's satisfaction.

**FCC INFORMATION FOR USA CUSTOMERS ONLY** (CONT):

Before installing this equipment, users should ensure that it is permissible to be connected to the facilities of the local telecommunications company. The equipment must also be installed using an acceptable method of connection. The customer should be aware that compliance with the above conditions may not prevent degradation of service in some situations. Repairs to certified equipment should be coordinated by a representative designated by the supplier. Any repairs or alterations made by the user to this equipment, or equipment malfunctions, may give the telecommunications company cause to request that the user disconnect the equipment. Users should ensure, for their own protection, that the electrical ground connections of the power utility, telephone lines, and internal metallic water pipe system, if present, are connected together. This precaution may be particularly important in rural areas.

**Caution:** Users should not attempt to make such connections themselves, but should contact the appropriate electric inspections authority, or electrician, as appropriate. The REN for this amplified telephone is stated on the IC regulatory label located on the bottom of the product.

**NOTICE:** The Ringer Equivalence Number (REN) assigned to each terminal device provides an indication of the maximum number of terminals allowed to be connected to a telephone interface. The termination on an interface may consist of any combination of devices, subject only to the requirement that the sum of the Ringer Equivalence Numbers of all the devices does not exceed 5.

This Class B digital device complies with Canadian ICES-003.



**Serene Innovations, Inc.**

14731 Carmenita Road, Norwalk, CA. 90650

Toll Free: 866-376 9271, Fax: 562-483-2087

Website: [www.sereneinnovations.com](http://www.sereneinnovations.com)

Email: [Customercare@Sereneinnovations.com](mailto:Customercare@Sereneinnovations.com)